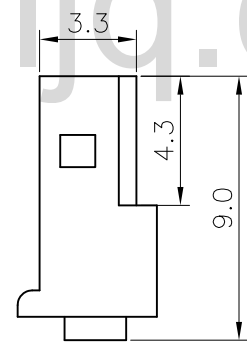
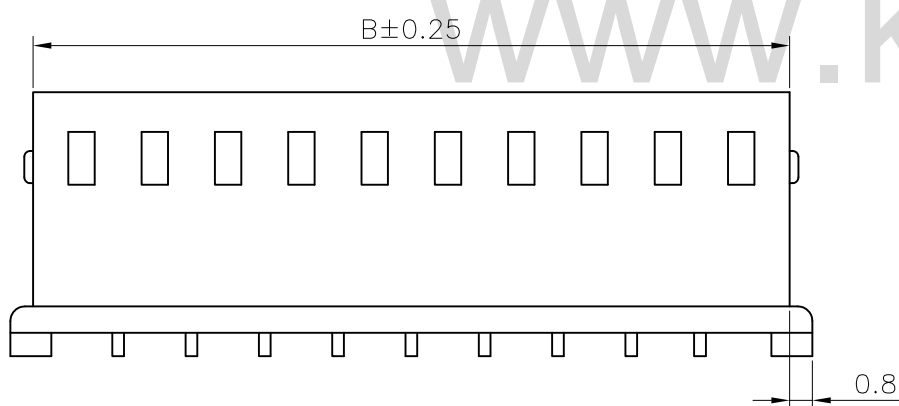


A25000***3*P60
 PIN数 $\left\{ \begin{array}{l} 4: \text{米黄色} \\ 6: \text{浅棕色} \\ 8: \text{灰色} \end{array} \right.$

- ◆ SPECIFICATIONS
- Current rating: 3A AC, DC
 - Voltage rating: 250V AC, DC
 - Temperature range: -25°C ~ +85°C
 - Insulation resistance: 1000MΩ Min.
 - Withstanding voltage: 1000V AC/ minute.
 - Contact resistance: 20mΩ Max.

Material: Nylon 66 UL 94V-0

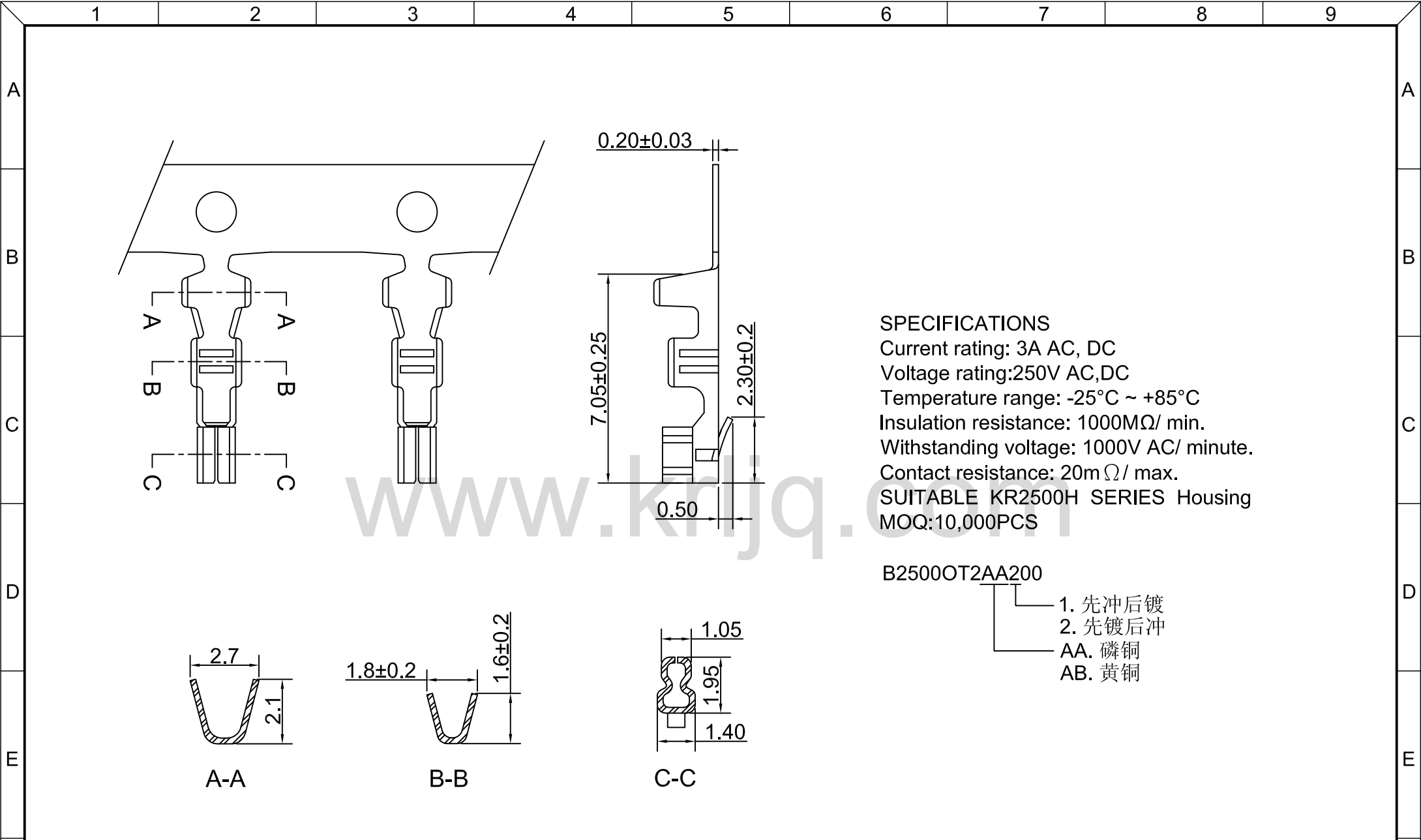


PART No.	Dimension mm	
	A	B
A2500O0023*P60	2.50	5.80
A2500O0033*P60	5.00	8.30
A2500O0043*P60	7.50	10.80
A2500O0053*P60	10.00	13.30
A2500O0063*P60	12.50	15.80
A2500O0073*P60	15.00	18.30
A2500O0083*P60	17.50	20.80
A2500O0093*P60	20.00	23.30
A2500O0103*P60	22.50	25.80
A2500O0113*P60	25.00	28.30
A2500O0123*P60	27.50	30.80
A2500O0133*P60	30.00	33.30
A2500O0143*P60	32.50	35.80
A2500O0153*P60	35.00	38.30
A2500O0163*P60	37.50	40.80

www.krljq.com

	GENERAL TOLERANCE		UNIT: mm		DATE		TITLE: Molex 2.50 (5264) Housing VER. SCALE: N/A A SHEET: 1/1		
	.X±0.30	X°±1°	DRAWN: 朱佑武 2012.10.18						
	.XX±0.20	.X°±	CHECKED:						
	.XXX±0.10	.XX°±	APPROVED:						
LTR	NAME	DATE	VERISION RECORD		PROJECTION PART NO. A25000***3*P60 DRAWING NO. 2500H01-3-S				


东莞市康瑞电子有限公司
 DongGuan A Rui Electronic Co., LTD.

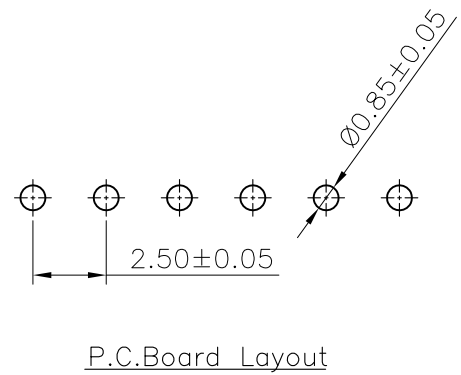
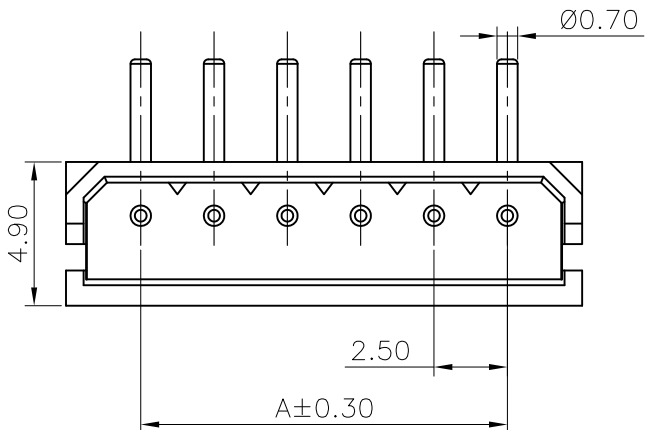


SPECIFICATIONS
 Current rating: 3A AC, DC
 Voltage rating: 250V AC, DC
 Temperature range: -25°C ~ +85°C
 Insulation resistance: 1000MΩ/ min.
 Withstanding voltage: 1000V AC/ minute.
 Contact resistance: 20mΩ/ max.
SUITABLE KR2500H SERIES Housing
 MOQ: 10,000PCS

B2500T2AA200

- 1. 先冲后镀
- 2. 先镀后冲
- AA. 磷铜
- AB. 黄铜

4				GENERAL TOLERANCE		UNIT: mm		DATE		TITLE:		 东莞市康瑞电子有限公司 DongGuan A Rui Electronic Co. LTD.			
3				.X ±0.30 X° ±1°		DRAWN: 闵昕皓		2012.11.23		(KR2500-T)					
4				.XX ±0.20 .X° ±		CHECKED:				VER.		SCALE: N/A			
1				.XXX ±0.10 .XX° ±		APPROVED:				A		SHEET: 1/1			
LTR	NAME	DATE	VERISION RECORD								PROJ		PART NO. B2500T2AA200		
1		2		3		4		5		6		7		8	
										DRAWING NO.		2500T01-2-S			

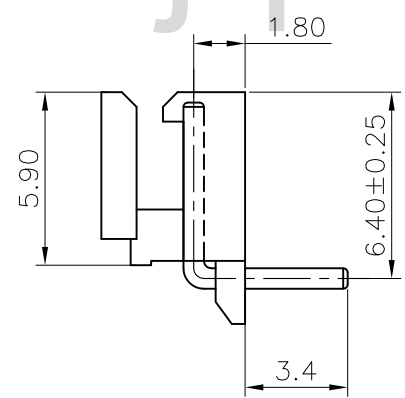
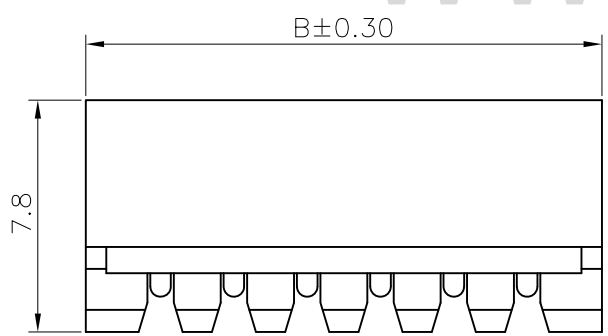


- ◆ SPECIFICATIONS
- Current rating: 3A AC, DC
 - Voltage rating: 250V AC, DC
 - Temperature range: -25°C ~ +85°C
 - Insulation resistance: 1000MΩ Min.
 - Withstanding voltage: 1000V AC/ minute.
 - Contact resistance: 20mΩ Max.

Material:
 Insulator: Nylon 66 UL 94V-0
 Contact: Brass
 Plating: Tin plated

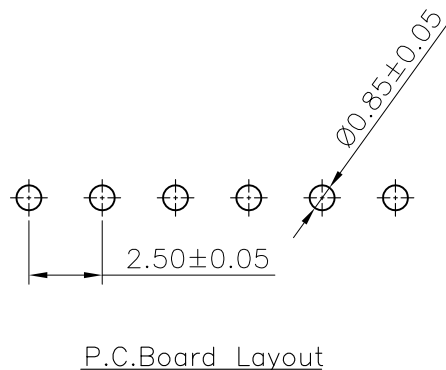
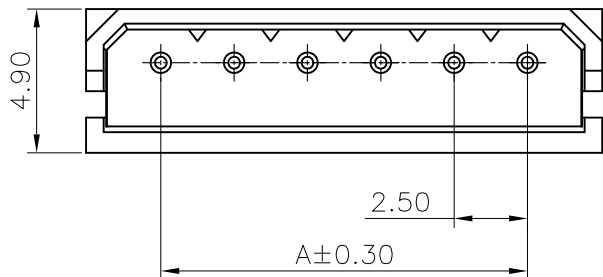
C2500RD***2*P630
 PIN数 ———— 4: 米黄色
 6: 浅棕色
 8: 灰色

www.krljq.com



PART No.	Dimension mm	
	A	B
C2500RD0022*P630	2.50	7.50
C2500RD0032*P630	5.00	10.00
C2500RD0042*P630	7.50	12.50
C2500RD0052*P630	10.00	15.00
C2500RD0062*P630	12.50	17.50
C2500RD0072*P630	15.00	20.00
C2500RD0082*P630	17.50	22.50
C2500RD0092*P630	20.00	25.00
C2500RD0102*P630	22.50	27.50
C2500RD0112*P630	25.00	30.00
C2500RD0122*P630	27.50	32.50
C2500RD0132*P630	30.00	35.00
C2500RD0142*P630	32.50	37.50
C2500RD0152*P630	35.00	40.00
C2500RD0162*P630	37.50	42.50

④				GENERAL TOLERANCE	UNIT: mm	DATE	TITLE: Molex 2.50 90° Wafer		
③				.X ±0.30 X° ±1°	DRAWN: 朱佑武	2012.11.23	东莞市康瑞电子有限公司 DongGuan A Rul Electronic Co. LTD.		
②				.XX ±0.20 .X° ±	CHECKED:		VER.	SCALE:	N/A
①				.XXX ±0.10 .XX° ±	APPROVED:		A	SHEET:	1/1
LTR	NAME	DATE	VERISION RECORD				PROJ	PART NO.	C2500RD***2*P630
1	2	3	4	5	6	7	DRAWING NO.	2500WHD01-2-S	



◆ SPECIFICATIONS

- Current rating: 3A AC, DC
- Voltage rating: 250V AC, DC
- Temperature range: -25°C ~ +85°C
- Insulation resistance: 1000MΩ Min.
- Withstanding voltage: 1000V AC/ minute.
- Contact resistance: 20mΩ Max.

Material:

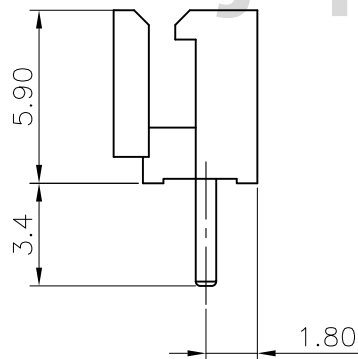
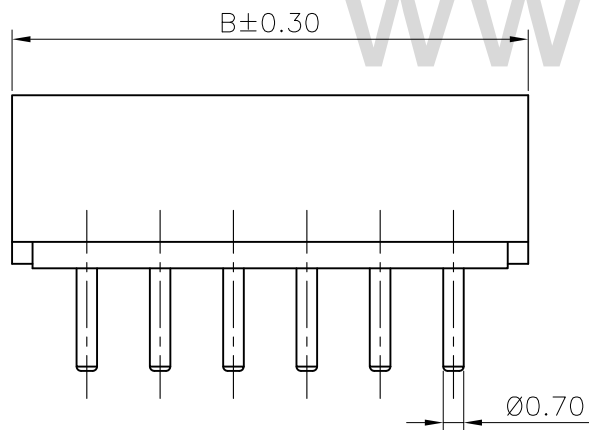
Insulator: Nylon 66 UL 94V-0

Contact: Brass

Plating: Tin plated

C2500VD***2*P630

PIN数 ———— 4: 米黄色
6: 浅棕色
8: 灰色



www.krljq.com

PART No.	Dimension mm	
	A	B
C2500VD0022*P630	2.50	7.50
C2500VD0032*P630	5.00	10.00
C2500VD0042*P630	7.50	12.50
C2500VD0052*P630	10.00	15.00
C2500VD0062*P630	12.50	17.50
C2500VD0072*P630	15.00	20.00
C2500VD0082*P630	17.50	22.50
C2500VD0092*P630	20.00	25.00
C2500VD0102*P630	22.50	27.50
C2500VD0112*P630	25.00	30.00
C2500VD0122*P630	27.50	32.50
C2500VD0132*P630	30.00	35.00
C2500VD0142*P630	32.50	37.50
C2500VD0152*P630	35.00	40.00
C2500VD0162*P630	37.50	42.50

④				GENERAL TOLERANCE	UNIT: mm	DATE	TITLE: Molex 2.50 180° Wafer		
③				.X ±0.30 X° ±1°	DRAWN: 朱佑武	2012.11.23	东莞市康瑞电子有限公司 DongGuan A Rul Electronic Co. LTD.		
②				.XX ±0.20 .X° ±	CHECKED:		VER.	SCALE:	N/A
①				.XXX ±0.10 .XX° ±	APPROVED:		A	SHEET:	1/1
LTR	NAME	DATE	VERISION RECORD						